

Pinnacle Mortice Lock for Bi-folding Windows and Doors

INTERLOCK™
ASSA ABLOY

ASSA ABLOY, the global leader in door opening solutions.



The Pinnacle Mortice lock has been designed for use on bi-fold windows and doors. The Pinnacle lock combines security features with a practical design, fulfilling the needs created by architectural innovations within the residential market. Suitable for use with aluminium windows and doors.

Features

- Provides 2 points of security from one motion
- Bolts throw 22mm for enhanced security
- Practical, easy installation
- Threaded rod connection provides easy adjustment
- Handle turns through 90 degrees from locked to unlocked
- Standard euro cylinder options can be keyed alike to other ASSA ABLOY CYL4™ locks for one key convenience
- Rods provided are 1m + 1.3m
- New Zealand made

Options

- Bi-fold kits can be used with a Uno or Aria styled bi-fold operator
- Non-locking or deadlocking options available
- Multipoint rod extension kit available
- French door kits are available and are supplied with standard Aria or Verona lever furniture to match doors



* Aria handle option shown

Pinnacle

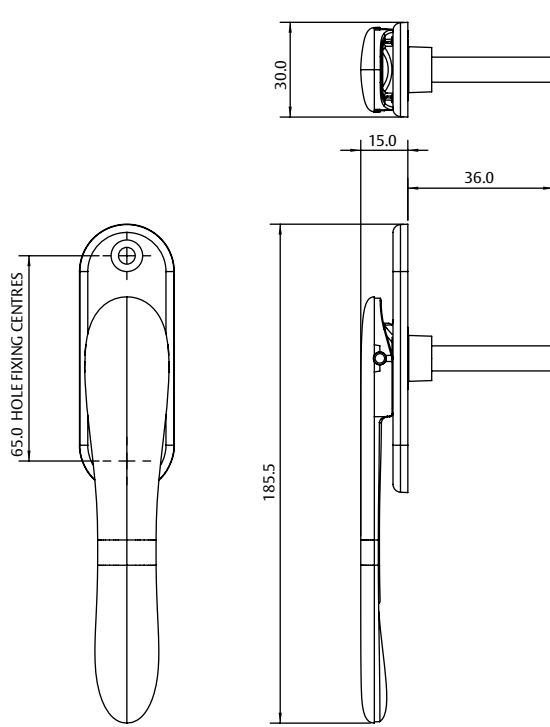
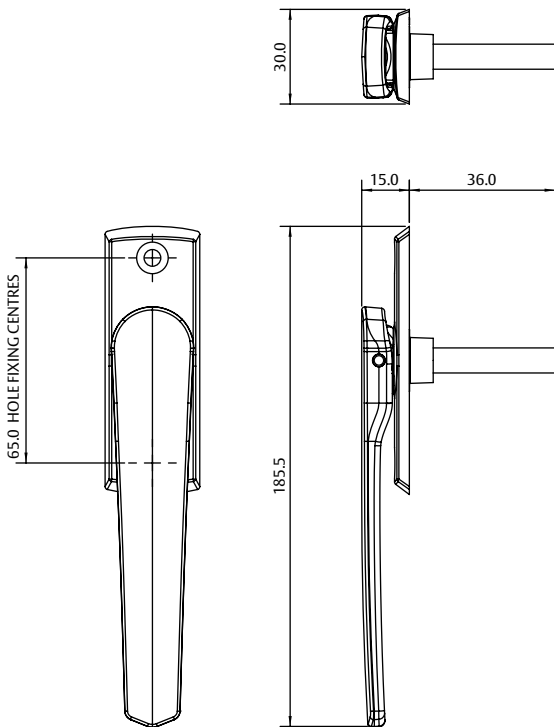
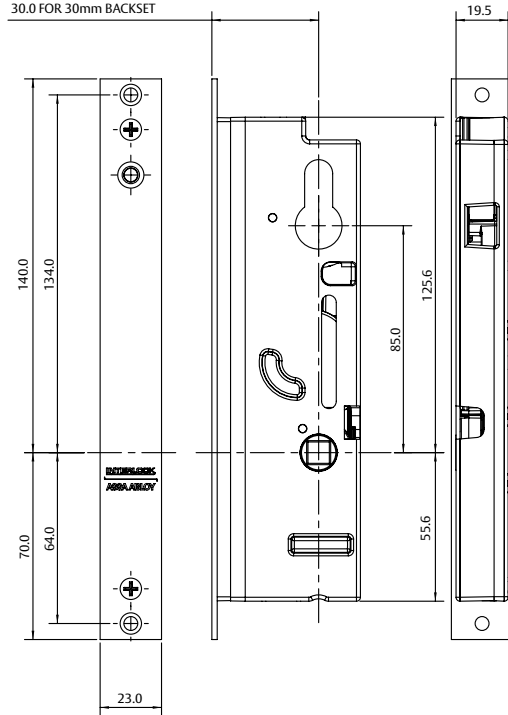
for Bi-Folding Windows and Doors

INTERLOCK™

ASSA ABLOY



40.0 FOR 40mm BACKSET
35.0 FOR 35mm BACKSET
30.0 FOR 30mm BACKSET



RES-FLY-07-4 0811NZ